



# EXTRACTOR

## TELESCOPIC CLAMSHELL

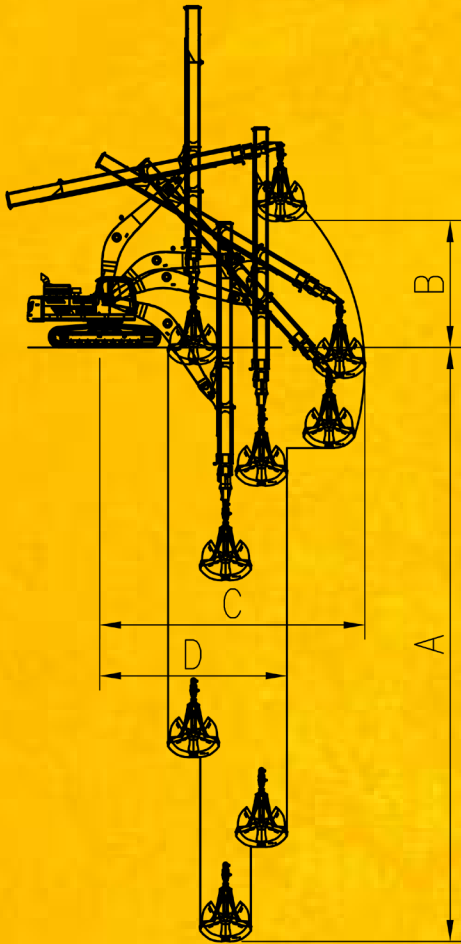
### **ONE MAN-ONE MACHINE**

The world's safest & technologically advanced telescopic clamshell delivering inexhaustible extraction rates others can only dream of. The EXTRACTOR telescopic Clamshell boosts productivity & exhibits the best performance in bulk load out of deep excavating work.



**“we’ve taken excavation to a hole new depth”**





## BENEFITS OF THE BOSS EXTRACTOR SERIES

- Models to suit excavators ranging from 14t to 110t
- Reach depths in excess of 50m.
- Ultra-fast cycle times cut deep excavation bulk load out costs by 75% whilst increasing cycle times. ONE MAN-ONE MACHINE.
- World first "Back Fill Function" allows for the telescopic clamshell to safely lower aggregates, sand and other materials back into the excavation.
- Twin Axis camera system give 360 degree view of the bucket and loading area.
- Optional BOSS auto lockout system. This system prevents operators from extending the telearm to an angle outside the excavators safe working limits.
- Twin downward & upward ropes for optimum safety. Each rope is rated at 5 times the working load.
- High yield low maintenance section slide system.
- Automatic equalizer system.
- Access panels allow for quick easy access to all internal components.
- Centralised greasing point system
- Full Hardox construction for optimum strength and durability.
- Easily mount and dismount from the excavator.

### BOSS ATTACHMENTS

- 📍 2/113 Wisemans Ferry Road,  
Somersby NSW 2250 AUSTRALIA
- ☎ 1300 116 661, INT +61 243 404783
- ✉ sales@bossattachments.com.au
- 🌐 www.bossattachments.com.au

**BOSS-SHEARPOWER CORP**  
**EXTRACTOR**





MODEL	Machine Weight	Digging Depth (metres)	Digging Depth (ft)	Clamshell Bucket Hyd. Rotation (Two-Cylinder), Tooth Type								
				Clamshell Bucket	Clamshell Rotation Type	Capacity (cu.m)	Capacity (cu.ft)	Weight (kg)	Up & Down Speed		Productivity m <sup>3</sup> /hr	Productivity ft <sup>3</sup> /hr
									Down	Up		
BE2120	20-24 Ton	21	68.9	SCB20-900H	Hydraulic/Manual	0.6	21.2	1,125	11.1	9.1	52.4	1850.5
BE2324	24-27 Ton	23	75.5	SCB20-1300H	Hydraulic/Manual	0.8	28.3	1,350	12.9	10.6	64.7	2284.9
BE2527	27-32 Ton	25	82	SCB30-1100H	Hydraulic/Manual	1	35.3	1,560	15.1	10.3	75.9	2680.4
BE2732	32-38 Ton	27	88.6	SCB30-1100H	Hydraulic/Manual	1	35.3	1,560	18	15	91.6	3234.8
BE2534	34-45 Ton	25	82	SCB40-1500H	Hydraulic/Manual	1.6	56.5	2,160	15.1	10.3	75.9	2680.4
BE2734		27	88.6	SCB40-1400H	Hydraulic/Manual	1.5	52.9	2,040	19.1	15.9	88.4	3121.8
BE3034		30	98.4	SCB40-1300H	Hydraulic/Manual	1.4	49.4	1,920	19.1	15.9	88.4	3121.8
BE3045	45-50 Ton	30	98.4	SCB50-1200H	Hydraulic/Manual	1.7	60	2,280	15	12.5	123.6	4364.9
BE3545		35	114.8	HCB40-13M	Hydraulic/Manual	1.3	45.9	1,830	22	17	76.7	2708.6
BE4045		40	131.2	HCB40-13M	Manual	1.4	49.4	1,920	22.7	22.7	74.8	



**WORK SMARTER  
NOT HARDER**







**1300 116 661**

**BOSSATTACHMENTS.COM.AU**